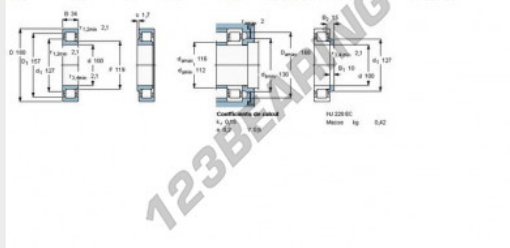


## Roller bearing NJ220-ECM-SKF - NJ220-ECM-SKF

<https://www.123bearing.com/bearing-housing/roller-bearing/roller/nj220-ecm-skf>

Dimensions d'encadrement		Charges de base		Désignation		Bague d'épaulement	
d	D	B	dynamique C	statique C <sub>0</sub>	* Roulement SKF Explorer	Désignation	
mm			kN				
100	180	34	285	305	NJ 220 ECM *	HJ 220 EC	



The technical drawing shows a cross-section of the NJ220-ECM-SKF roller bearing. It features a single row of cylindrical rollers held in place by a cage. The bearing is designed for use in a housing with a shoulder. Key dimensions are indicated: inner diameter (d=100 mm), outer diameter (D=180 mm), and thickness (B=34 mm). The drawing also shows the shoulder diameter (D<sub>1</sub>) and the distance from the inner ring to the shoulder (r<sub>1</sub>). The bearing is shown in a housing with a shoulder of diameter D<sub>1</sub> and distance r<sub>1</sub> from the inner ring.

### PRODUCT FEATURES

Brand	SKF
N° Ean13	7316577728456
Inside diameter	100 mm
Outside diameter	180 mm
Thickness	34 mm
Weight	3830 g
Packaging	1

[contact@123bearing.com](mailto:contact@123bearing.com)

(646) 712 9672

CRT4 de Lesquin 60 Rue Du Haut De Sainghin 59273 Fretin FRANCE