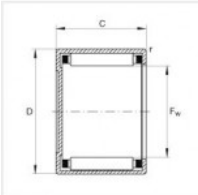


Drawn cup roller bearing BCE85-INA - BCE85-INA

<https://www.123bearing.com/bearing-housing/needle-roller-bearing/drawn-cup/bce85-ina>



F _w	1/2 inch
F _w	12.7 mm
D	0.687 inch
D	17.462 mm
C	0.313 inch
C	7.938 mm
m	0.009 lbs masse
m	4 g masse
C _r	820 lbf charge dyn. de base, radiale
C _r	3650 N charge dyn. de base, radiale
C _{0r}	890 lbf charge statique de base, radiale
C _{0r}	3950 N charge statique de base, radiale
n ₃	19500 1/min vitesse limite
n ₆	14200 1/min vitesse de base

PRODUCT FEATURES

Brand	INA
N° Ean13	3663952172095
Inside diameter	12.7 mm
Outside diameter	17.46 mm
Thickness	7.92 mm
Packaging	1

contact@123bearing.com

(646) 712 9672

CRT4 de Lesquin 60 Rue Du Haut De Sainghin 59273 Fretin FRANCE