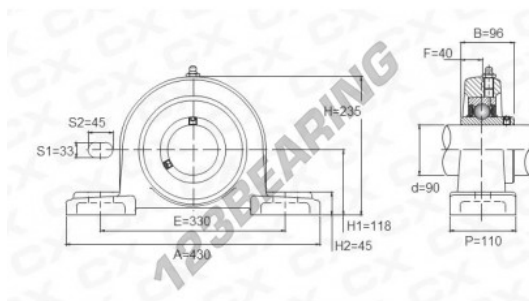


Housed bearing 2 bolts UCP318 - UCP318

<https://www.123bearing.com/bearing-housing/housed-bearing/cast-iron-housed-bearing-2/ucp318>



PRODUCT FEATURES

Brand	GEN
Shaft diameter	90 mm
No. of fasteners	2
Tightening	set screw
Mounting center distance	330 mm
Material	cast iron
Weight	25100 g
Dynamic load	136000 kN
Static load	102000 kN
Packaging	1
Standard	No standard

contact@123bearing.com

(646) 712 9672

CRT4 de Lesquin 60 Rue Du Haut De Sainghin 59273 Fretin FRANCE