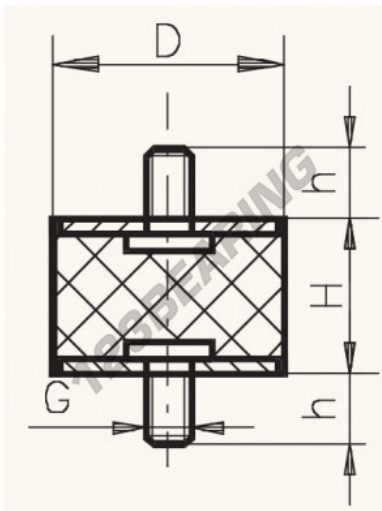


MM anti-vibration MM10060-16 - MM10060-16

<https://www.123bearing.com/accessories/anti-vibration/mm/mm10060-16>



PRODUCT FEATURES

Brand	GEN
Outside diameter	100 mm
Outside diameter	3.937" inch
Thickness	60 mm
Thickness	2.362" inch
Type	MM
Screw	M16
Packaging	1

contact@123bearing.com

(646) 712 9672

CRT4 de Lesquin 60 Rue Du Haut De Sainghin 59273 Fretin FRANCE