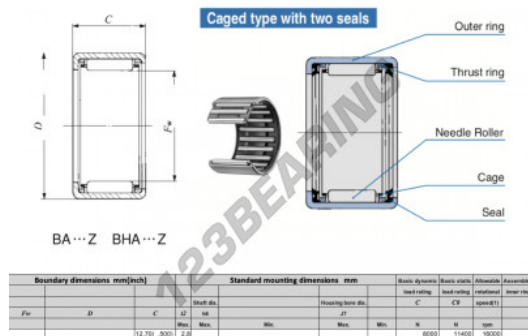


Drawn cup roller bearing BA158-Z-IKO - BA158-Z-IKO

<https://www.123bearing.com/bearing-housing/needle-roller-bearing/drawn-cup/ba158-z-iko>



Boundary dimensions mm(inch)			Standard mounting dimensions mm			Basic dynamic load rating		Basic static load rating		Minimum oil film thickness	
For	D	C	D ₁	B ₁	J ₁	C ₁	C ₂	C ₃	C ₄	C ₅	C ₆
	12 70	530	2,4								

PRODUCT FEATURES

Brand	IKO
N° Ean13	3616060601124
Thickness	12.7 mm
Limiting speed	16000 rpm
Dynamic load	8 kN
Static load	11.4 kN
Packaging	1

contact@123bearing.com

(646) 712 9672

CRT4 de Lesquin 60 Rue Du Haut De Sainghin 59273 Fretin FRANCE