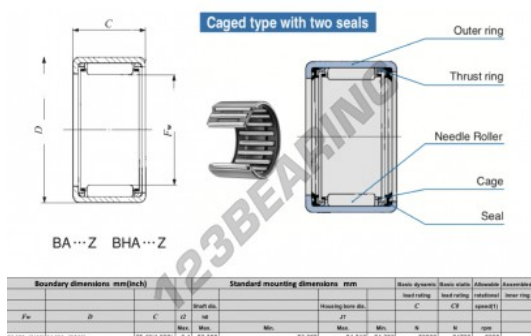


## Drawn cup roller bearing BHA3316-Z-IKO - BHA3316-Z-IKO

<https://www.123bearing.com/bearing-housing/needle-roller-bearing/drawn-cup/bha3316-z-iko>



### PRODUCT FEATURES

|                  |               |
|------------------|---------------|
| Brand            | IKO           |
| N° Ean13         | 3616060600929 |
| Inside diameter  | 52.388 mm     |
| Outside diameter | 64.294 mm     |
| Thickness        | 25.4 mm       |
| Limiting speed   | 6000 rpm      |
| Dynamic load     | 50.6 kN       |
| Static load      | 94.7 kN       |
| Packaging        | 1             |

[contact@123bearing.com](mailto:contact@123bearing.com)

(646) 712 9672

CRT4 de Lesquin 60 Rue Du Haut De Sainghin 59273 Fretin FRANCE