


GE Rod end SI12-E-DURBAL - SI12-E-DURBAL

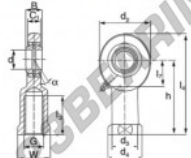
<https://www.123bearing.com/bearing-housing/rod-end/ge/si12-e-durbal>

SI12-E

female thread;
lubrication
required,
according to
DIN ISO 12240-4;
series E



Description: DIN ISO rod end E series. Made of spherical plain bearing DGE...E (ES) pressed into rod end body. Sliding combination steel / steel. Maintenance necessary. Bore diameter $d \geq 15$ with grease nipple in rod end body and lubrication groove and hole in inner and outer ring. Bore diameter $d \geq 15$ type DSI...ES-2RS with additional seals also available.



FERROBAL

Sliding combination:
steel / steel

Inner ring:
bearing steel, hardened, ground and phosphated

Outer ring:
bearing steel, hardened, ground and phosphated

Lubrication:
lubrication required

order number		measurement (mm)							
right hand thread	left hand thread	d	G	B	C1	d2	d3	d4	
SI 12 E		12	M 12	10	8,0	34	17,5	22	

type	measurement [mm]				load rating C ₀ [kN]	weight [kg]
	l ₃ min	W	h	α [°]		
SI / SI12 E	23	19	50	11	24,5	0,096

PRODUCT FEATURES

Brand	DURBAL
N° Ean13	3616060468000
Inside diameter	12 mm
Inside diameter	0.472" inch
Outside diameter	34 mm
Outside diameter	1.339" inch
Thickness	10 mm
Thickness	0.394" inch
Type	GE
Weight	96 g
Lubrication	with
Packaging	1

contact@123bearing.com

(646) 712 9672

CRT4 de Lesquin 60 Rue Du Haut De Sainghin 59273 Fretin FRANCE