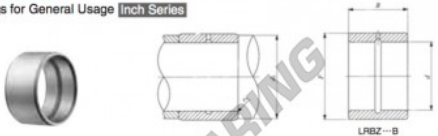


Inner ring LRBZ81216-B-IKO - LRBZ81216-B-IKO

<https://www.123bearing.com/bearing-housing/needle-roller-bearing/inner-ring/lrbz81216-b-iko>

IKO
INNER RINGS
Inner Rings for General Usage Inch Series



Shaft dia. mm (inch)	Identification number		Mass (Ref.) g	Boundary dimensions mm(inch)			Standard mounting dimensions mm ^(*)		
				<i>d</i>	<i>F</i>	<i>B</i>	<i>d</i> _s Min.	<i>d</i> _s Max.	<i>r</i> _{as} max. Max.
12.700 ($\frac{1}{2}$)	—	LRBZ 81216 B	31	12.700 γ_{ψ}	19.050 γ_{ψ}	25.650	17.5	18	0.6
Assembled bearings									
BR 122016UU									

Note(*) Maximum allowable fillet corner radius of shaft.
Remark: LRBZ has no oil hole. LRB and LRBZ - B are provided with an oil groove and an oil hole.

PRODUCT FEATURES

Brand	IKO
N° Ean13	3663952420332
Inside diameter	12.7 mm
Outside diameter	19.05 mm
Thickness	25.65 mm
Packaging	1

contact@123bearing.com

(646) 712 9672

CRT4 de Lesquin 60 Rue Du Haut De Sainghin 59273 Fretin FRANCE