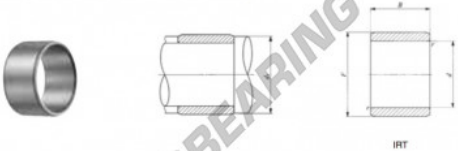


## Inner ring IRT4512-IKO - IRT4512-IKO

<https://www.123bearing.com/bearing-housing/needle-roller-bearing/inner-ring/irt4512-iko>

**IKO**  
**INNER RINGS**  
Inner Rings for Shell Type Needle Roller Bearings



Shaft dia. mm	Identification number	Mass (Ref.) g	Boundary dimensions mm				Shoulder height mm		Assembled bearings		
			d	F	B	r <sup>(1)</sup> min	d <sub>4</sub> Min.	d <sub>4</sub> Max.	TA→Z (TAM)	TLA→Z (TLAM)	YT YTL
45	IRT 4512	36	45	50	12.5	0.6	49	49.5	TA 501ZZ	—	—

Note<sup>(1)</sup> Minimum allowable value of chamfer dimension r  
Remark No oil hole is provided.

## PRODUCT FEATURES

Brand	IKO
N° Ean13	3663952411118
Inside diameter	45 mm
Outside diameter	50 mm
Thickness	12.5 mm
Packaging	1

[contact@123bearing.com](mailto:contact@123bearing.com)

(646) 712 9672

CRT4 de Lesquin 60 Rue Du Haut De Sainghin 59273 Fretin FRANCE