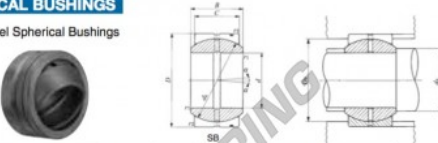


GE Rod end SB6010053-IKO - SB6010053-IKO

<https://www.123bearing.com/bearing-housing/rod-end/ge/sb6010053-iko>

IKO
SPHERICAL BUSHINGS
Steel-on-steel Spherical Bushings



Shaft dia. mm	Identification number		Mass (Ref.) kg	Boundary dimensions mm						Permissible tilting angle degree
	SB 6010053			d	D	B	C	d_k	r_1 mm ⁽¹⁾	
60	SB 6010053		1.70	60	100	53	45	90	0.6	6
Mounting dimensions mm				Dynamic load capacity		Static load capacity				
d_s		D_s		C_d	C_s					
Min.	Max. ⁽²⁾	Min.	Max.	N	N					
64.5	72.5	95.5	83.5	397 000	2 380 000					

Notes⁽¹⁾ Minimum allowable value of chamfer dimensions r_1 and r_2 .
⁽²⁾ When Spherical Bushings are used with full tilting angle, the shaft shoulder dimension must be less than the maximum value of d_s .
Remark: 1. The inner ring and the outer ring have an oil groove and two oil holes, respectively.
2. Not provided with prepacked grease. Perform proper lubrication for use.

PRODUCT FEATURES

Brand	IKO
N° Ean13	3663952391373
Inside diameter	60 mm
Outside diameter	100 mm
Thickness	53 mm
Type	GE
Lubrication	without
Packaging	1

contact@123bearing.com

(646) 712 9672

CRT4 de Lesquin 60 Rue Du Haut De Sainghin 59273 Fretin FRANCE