
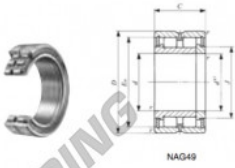


Needle roller bearing NAG4916-IKO - NAG4916-IKO

<https://www.123bearing.com/bearing-housing/needle-roller-bearing/needle/nag4916-iko>



ROLLER BEARINGS
Caged Roller Bearings
Full Complement Roller Bearings



NAG49

Shaft dia. mm	Identification number		Mass (Ref.) g	Boundary dimensions mm					
	Full complement type	Caged type		d	D	C	r _s (1)	J	E _w
80	NAG 4916	—	815	80	110	30	1	89.5	102
Basic dynamic load rating C N	Basic static load rating C ₀ N	Allowable rotational speed (2) rpm							
83 000	157 000	2 500							

Note(1) Minimum allowable value of chamfer dimension r
 (2) Allowable rotational speed applies to grease lubrication.
 Remark: This roller ring has an oil groove and an oil hole.
 2. Bearings with seals on both sides are provided with prepacked grease. Bearings with a seal on one side are not provided with prepacked grease. Perform proper lubrication for use.

PRODUCT FEATURES

Brand	IKO
N° Ean13	3663952385570
Inside diameter	80 mm
Outside diameter	110 mm
Thickness	30 mm
Packaging	1

contact@123bearing.com

(646) 712 9672

CRT4 de Lesquin 60 Rue Du Haut De Sainghin 59273 Fretin FRANCE