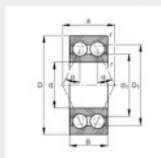


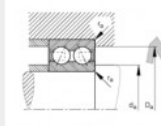
Deep groove ball bearing single row 3805-B-TVH-FAG - 3805-B-TVH-FAG

<https://www.123bearing.com/bearing-housing/deep-groove-bearing/single-row/3805-b-tvh-fag>

Angular contact ball bearings 3805-B-TVH
double row, contact angle $\alpha = 25^\circ$



| | |
|--------------------|--|
| d | 25 mm |
| D | 37 mm |
| B | 10 mm |
| a | 15,9 mm |
| D ₁ | |
| D ₂ max | 35 mm |
| d ₁ | 28,3 mm |
| d ₂ min | 27 mm |
| f _a max | 0,3 mm |
| f _a min | 0,3 mm |
| α | 25° Contact angle |
| m | 0,025 kg Mass |
| C | 6000 N Basic dynamic load rating, radial |
| C ₀ | 5600 N Basic static load rating, radial |
| C _r | 280 N Fatigue limit load, radial |
| n _{GP} | 15200 1/min Limiting speed |
| n _R | 10300 1/min Reference speed |



PRODUCT FEATURES

| | |
|------------------|---------------|
| Brand | FAG |
| N° Ean13 | 3663952349626 |
| Inside diameter | 25 mm |
| Outside diameter | 37 mm |
| Thickness | 10 mm |
| Packaging | 1 |

contact@123bearing.com

(646) 712 9672

CRT4 de Lesquin 60 Rue Du Haut De Sainghin 59273 Fretin FRANCE