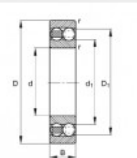


Self-aligning ball bearing 1315-M-FAG - 1315-M-FAG

<https://www.123bearing.com/bearing-housing/deep-groove-bearing/sefl-aligning/1315-m-fag>

Self-aligning ball bearings 1315-M
main dimensions to DIN 625



| | |
|--------------------|---|
| d | 75 mm |
| D | 160 mm |
| B | 37 mm |
| D ₁ | 134.8 mm |
| D ₂ max | 148 mm |
| d ₁ | 104.4 mm |
| d ₂ min | 87 mm |
| f ₁ max | 2.1 mm |
| f ₂ min | 8.1 mm |
| m | 3.89 kg Mass |
| C | 80000 N Basic dynamic load rating, radial |
| e | 0.23 |
| Y ₁ | 2.77 |
| Y ₂ | 4.29 |
| C ₀ | 29000 N Basic static load rating, radial |
| Y ₀ | 2.9 |
| n ₀ | 6300 1/min Limiting speed |
| n _B | 6600 1/min Reference speed |
| C ₁₀ | 1690 N Fatigue limit load, radial |

PRODUCT FEATURES

| | |
|------------------|---------------|
| Brand | FAG |
| N° Ean13 | 3663952346458 |
| Inside diameter | 75 mm |
| Outside diameter | 160 mm |
| Thickness | 37 mm |
| Weight | 3736 g |
| Packaging | 1 |

contact@123bearing.com

(646) 712 9672

CRT4 de Lesquin 60 Rue Du Haut De Sainghin 59273 Fretin FRANCE