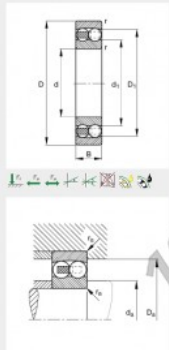


Self-aligning ball bearing 1222-M-FAG - 1222-M-FAG

<https://www.123bearing.com/bearing-housing/deep-groove-bearing/sefl-aligning/1222-m-fag>

Self-aligning ball bearings 1222-M
main dimensions to DIN 630



| | |
|-------------------|---|
| d | 110 mm |
| D | 200 mm |
| B | 38 mm |
| D ₁ | 173.9 mm |
| D _{1max} | 188 mm |
| d ₁ | 140.7 mm |
| d _{1min} | 122 mm |
| F _{dmax} | 2.1 mm |
| F _{dmin} | 2.1 mm |
| m | 5.57 kg Mass |
| C | 69000 N Basic dynamic load rating, radial |
| f | 0.17 |
| Y ₁ | 3.61 |
| Y ₂ | 5.59 |
| C ₀ | 38000 N Basic static load rating, radial |
| P ₀ | 3.75 |
| P ₀ | 5000 1/min Limiting speed |
| P ₀ | 5700 1/min Reference speed |
| C ₀ | 1900 N Fatigue limit load, radial |

PRODUCT FEATURES

| | |
|------------------|---------------|
| Brand | FAG |
| N° Ean13 | 4012801471077 |
| Inside diameter | 110 mm |
| Outside diameter | 200 mm |
| Thickness | 38 mm |
| Weight | 5350 g |
| Packaging | 1 |
| Standard | No standard |

contact@123bearing.com

(646) 712 9672

CRT4 de Lesquin 60 Rue Du Haut De Sainghin 59273 Fretin FRANCE